



BoxSide Small Plus

- 2704

Areas of application

- Signage and illuminated advertising
- Side-lighting of thin and small light box, best for more than 60mm depth (> 2.4 inch)

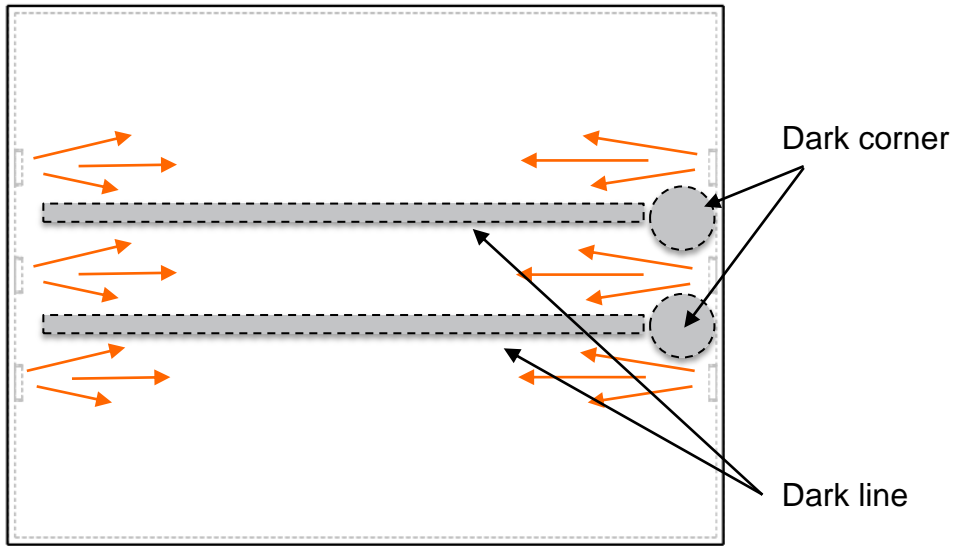
Product benefits

- Uniform and efficient illumination at high module pitches thanks to innovation optics design – **arc lens**
- Excellent optical design can meet long light box uniformity requirement – **best for thin and small light box**
- Long lifetime (powered by OSRAM LED) - **7 years warranty**

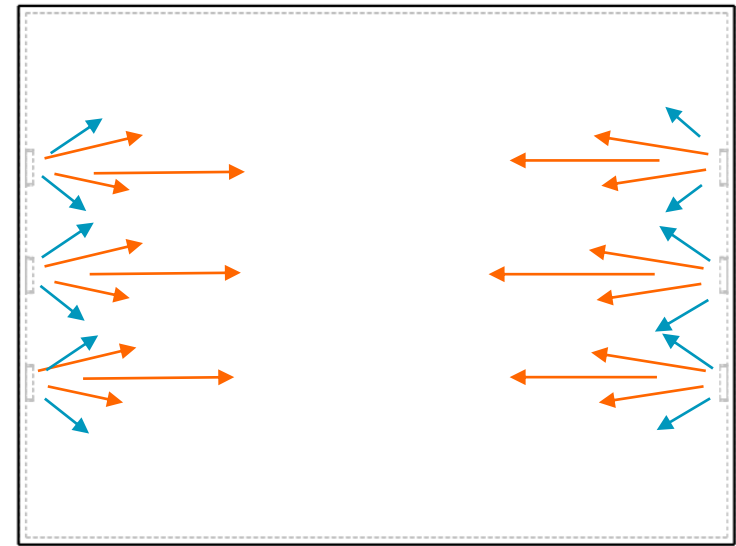
Product features

- 12VDC
- 140 lm/module
- 106 lm/W
- Beam angle 11° x 40°
- CE marked and UL listed

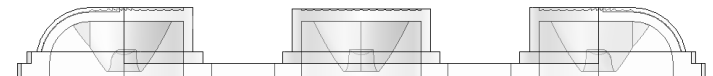
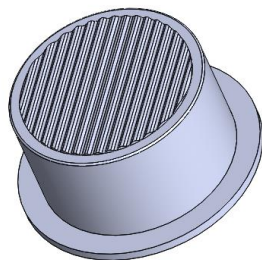


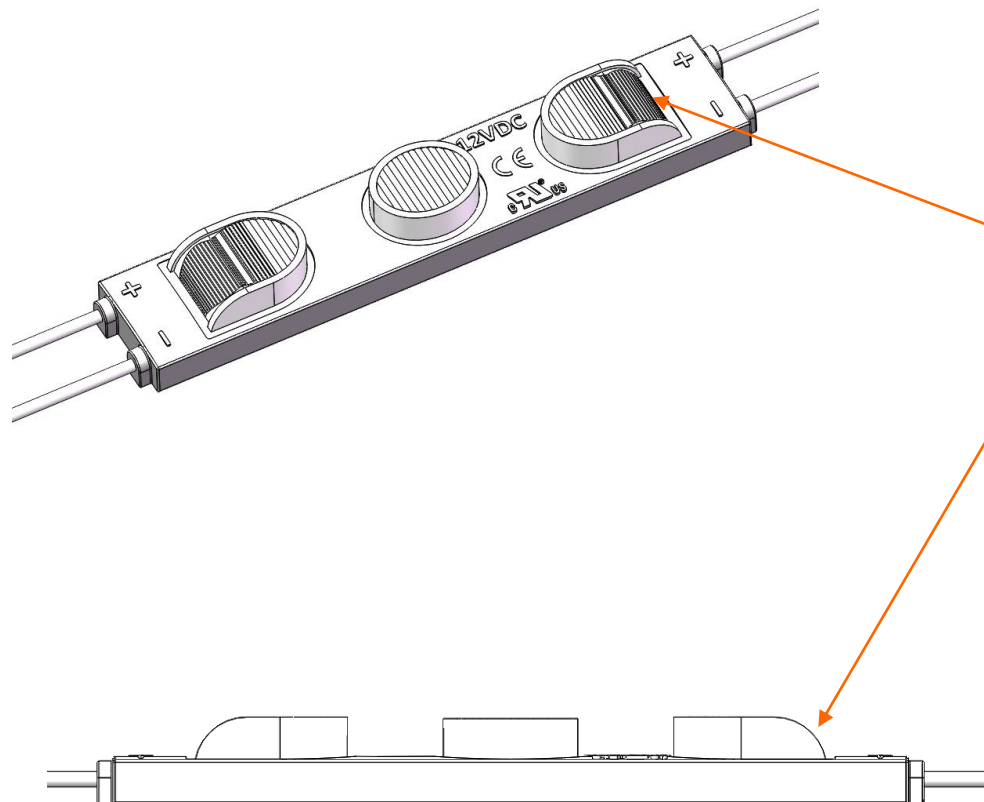


Normal sidelighting optics design



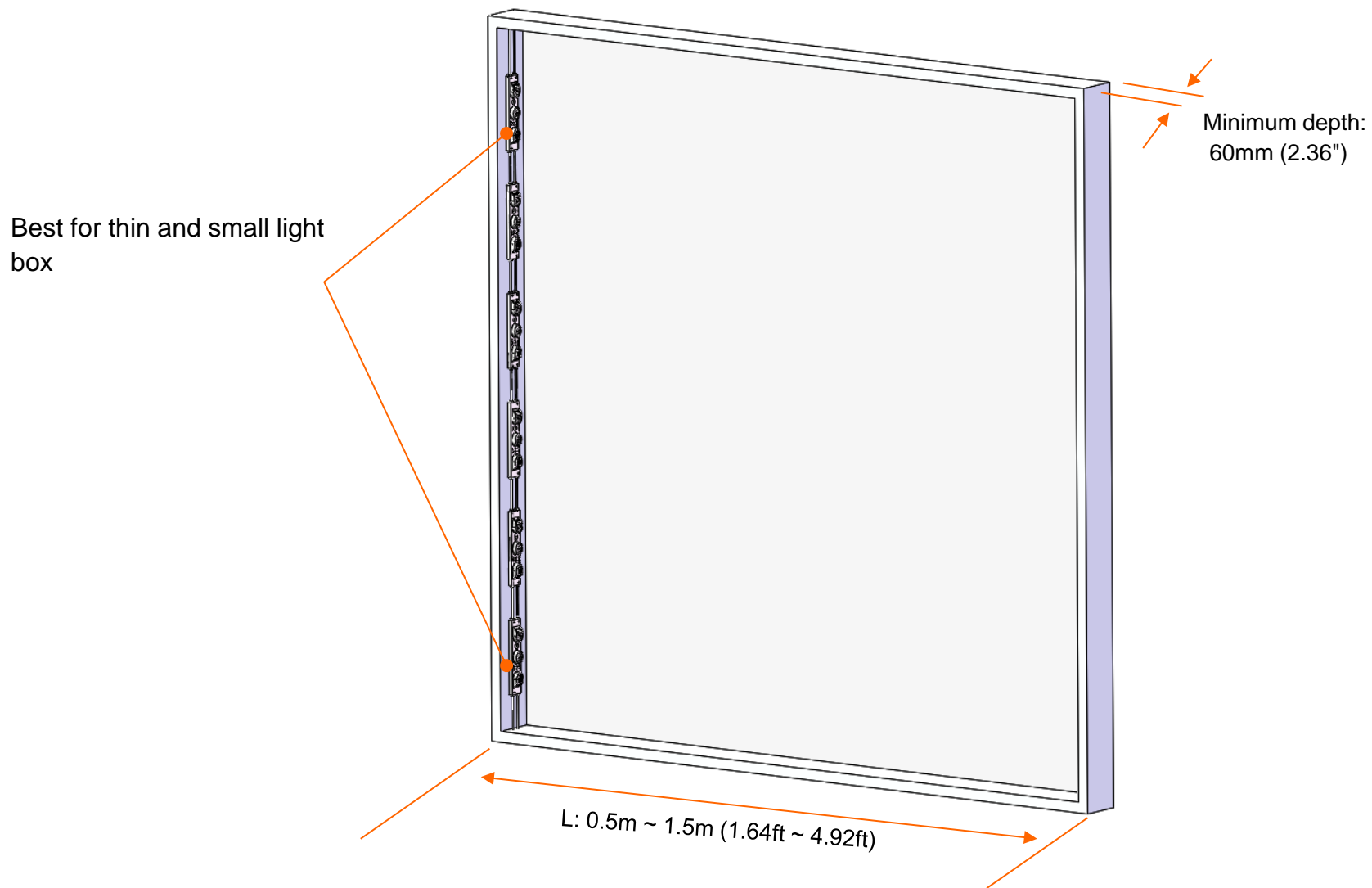
Innovation sidelighting optics design





Innovation optics design
→ Arc lens





Electrical data

Product Description	Typical Voltage	Energy Consumption (W/module)	Energy Consumption (W/chain)	Energy Consumption (W/ft.)	Power Supper Loading		Additional Information (modules/chain)
2704	12VDC	1.32	52.8	2.2	45 modules/60W	26.8 ft./60W	40

Photometrical data

Product Description	Light color (designation)	Color (CCT, wavelength)	Color Rendering Index	Typical Brightness (lumen/module)	Typical Brightness (lumen/chain)	Typical Brightness (lumen/ft.)
2704	White	3000K-7000K	Ra > 80	140	5600	237

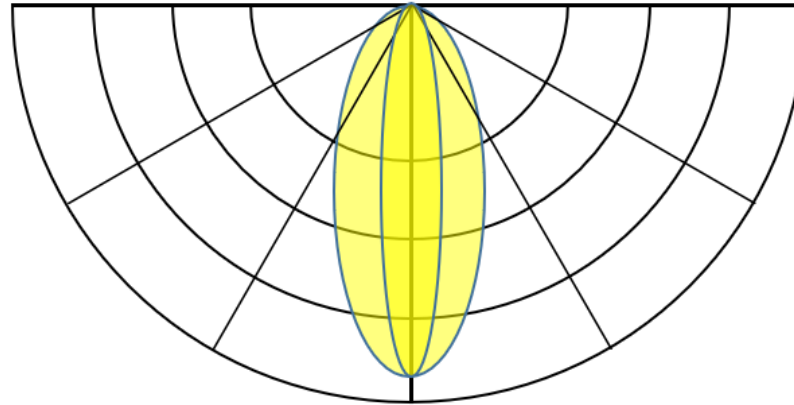
Environmental and Application Conditions

Operating Environment (t_a)	-25°C to +55°C
Storage Temperature Range (t_s)	-40°C to +85°C
Max. operating (case) temperature (t_c)	75°C
IP Rating	IP67
Lifetime (L70B50)	70,000 hours
Dimming mode	Dimmable
Cutting Resolution	Cut on wire between every module

Maximum Supply Wire Limits

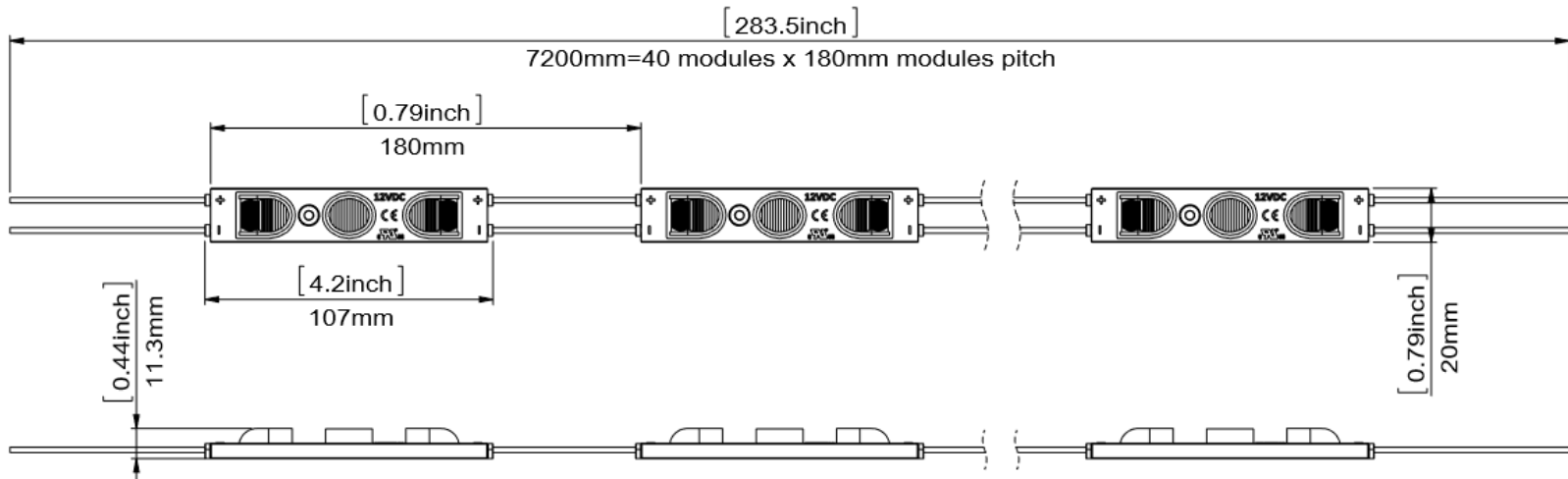
30W	22 modules	4 m (13.4 ft.)
60W	45 modules	8 m (26.8 ft.)
80W	60 modules	11 m (35.8 ft.)
100W	75 modules	14 m (44.7 ft.)
120W	90 modules	16 m (53.7 ft.)

Light distribution

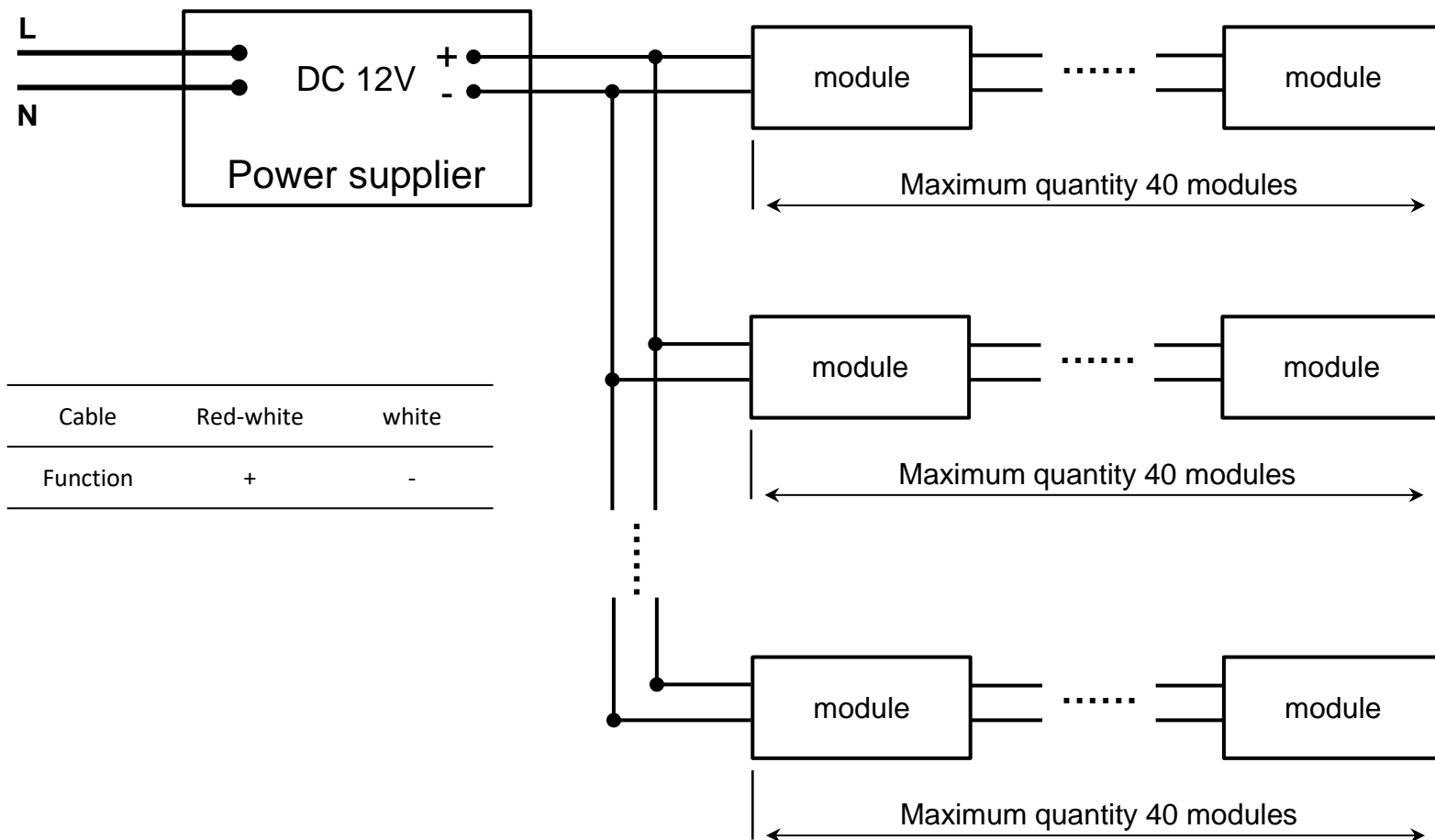


11° x 40°

Product line drawing



Wiring method



* The secondary cable recommend AGW18, < 5 meter (16.4 ft.)

Package

Product description	Package unit (modules/carton box)	Package unit (chains/carton box)	Carton box Dimensions (length x width x height)	Volume	Gross weight
2704					

Additional product information

- Installation of LED modules (with power supplies) needs to be made under consideration of all valid regulations and norms.
- Installation by qualified electrician only.
- Parallel connection is mandatory for safe electrical operation. Serial connection of LED modules is discouraged. Unbalanced voltage drop in serial connection can cause hazardous overload
- Electrical contact is achieved with the contact cables or the terminals of the module. Please refer to the technical data for maximum number of LED modules that can be operated on one control gear.
- To avoid mechanical damage, the LED modules have to be attached securely to the intended mounting surface. It is recommended to avoid heavy vibration.
- LED modules are dimmable by means of PWM (pulse width modulation).